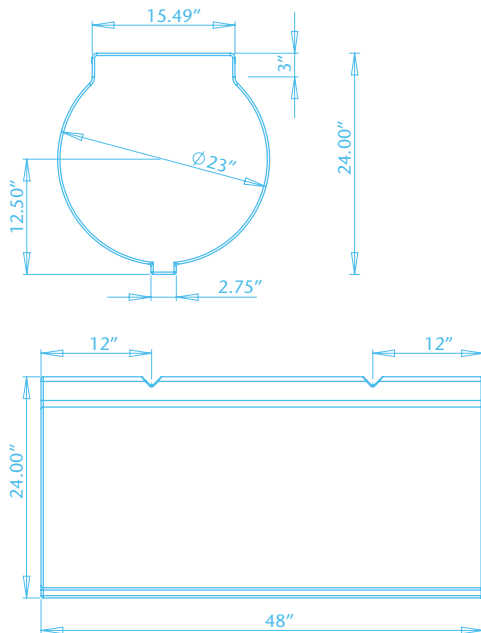


4 ft. Flotation Pontoon



Features

- Applications for floating docks, swim docks, etc.
- Medium density polyethylene (1/4"–3/8" thickness)
- Rotation molded
- 23" diameter
- EZ mount floats (dock builders love them) utilizing 3/8" molded inserts to attach dock members
- Foam filled
- Maintenance free
- Extra strong and durable
- Molded-in ultraviolet inhibitors
- 2 year warranty
- Supports 600 lbs. gross weight at full submersion
- Pontoon weight 61 lbs.
- Flat ends



Pontoons, Inc.

5602 Sea Grapes Way
The Villages, FL 32163-2019
phone: 419-675-0002
toll free: 877-456-2531
email: info@plasticpontoon.com
www.plasticpontoon.com

PRODUCT WARRANTY

Wilson Pontoons, Inc. hereby warrants the design, materials and workmanship of this pontoon product for a period of two (2) years from the date of purchase.

This warranty shall be limited to repair or replacement of the product. This warranty excludes all other incidental and consequential damages and shall be voided by misuse or abuse of the product.